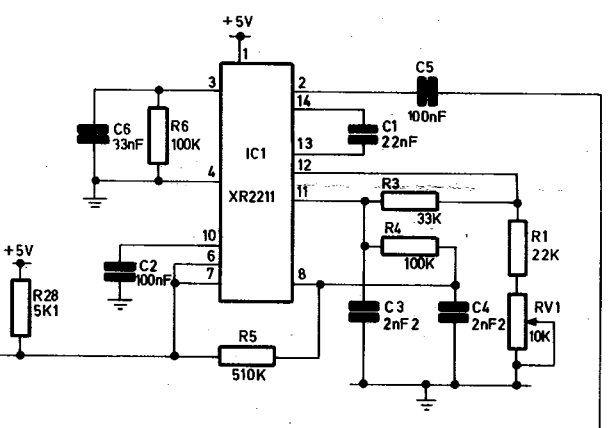
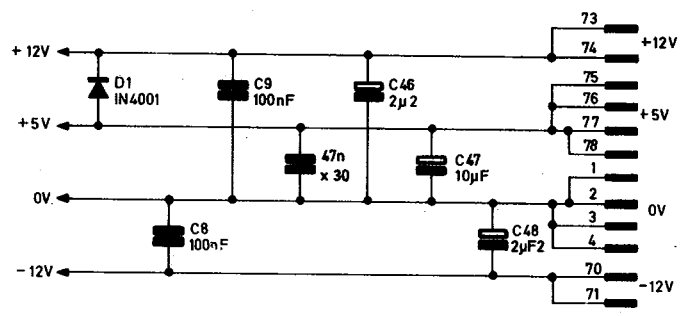
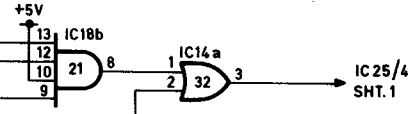
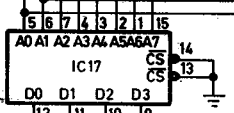
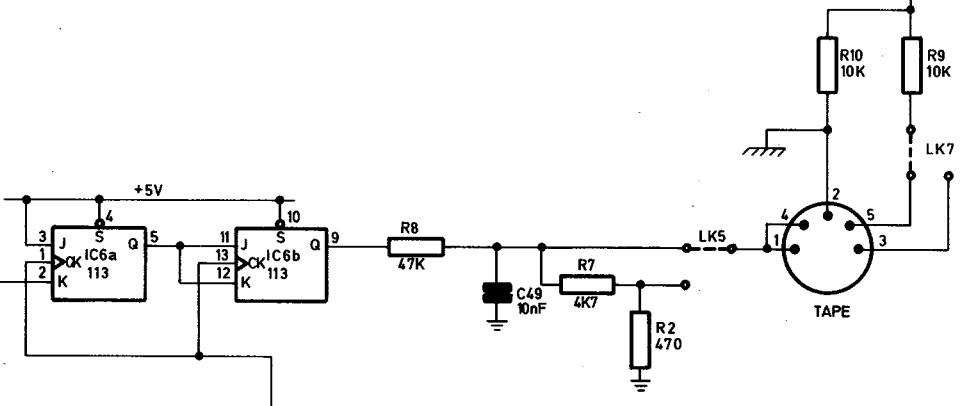


ADDRESS BUS


A0/A30 - A7/A37  
SHT. 1:



9/RD  
16/TORG  
28/WR } SHT. 1



ISSUE	MODIFICATION	DATE
1		



**Gemini Microcomputers**

OAKFIELD CORNER  
SYCAMORE ROAD  
AMERSHAM BUCKS  
HP6 5EQ

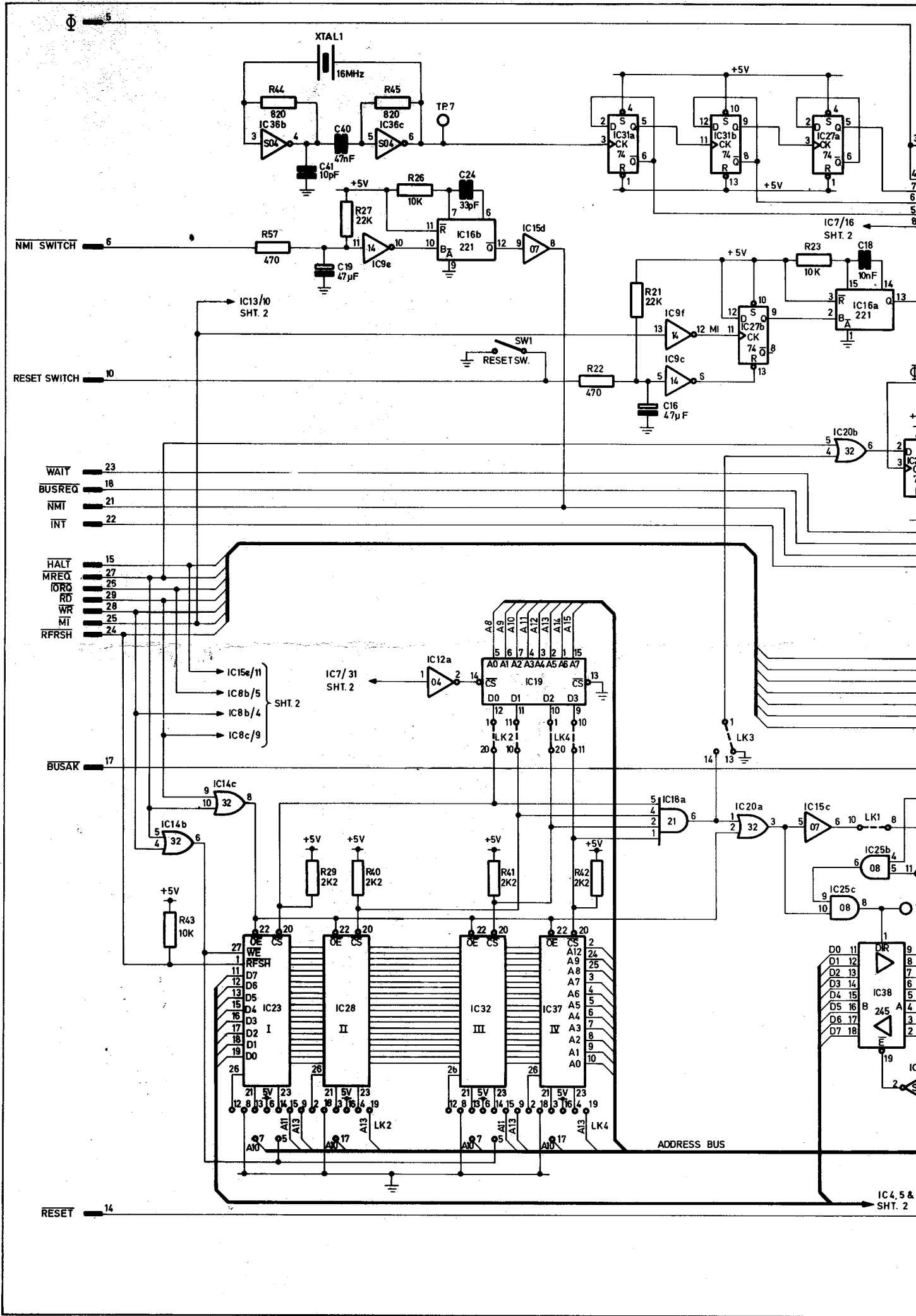
Telex: 837788  
Tel: (02403)28321

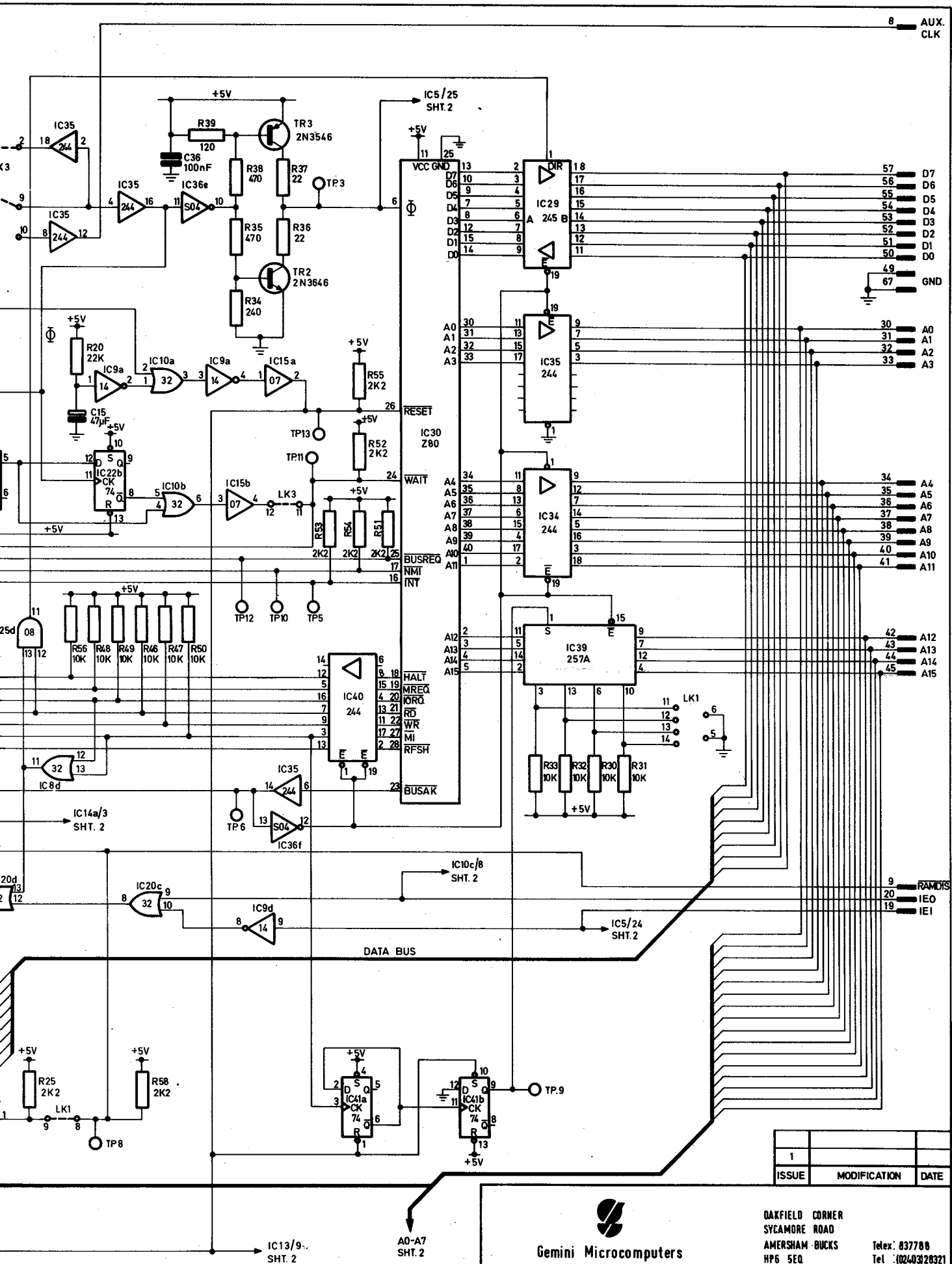
---

TITLE  
**Z80 C.P.U. BOARD.**


DRAWN	DATE	SCALE	CHK'D	APP'D	DRAWING N°
HR/W.D.S.	JUNE '81	—			G811

SHT. 2 OF 2





ISSUE	MODIFICATION	DATE
1		

  
**Gemini Microcomputers**  
 OAKFIELD CORNER  
 SYCAMORE ROAD  
 AMERSHAM - BUCKS  
 HP6 5EQ  
 Telex: 837788  
 Tel: (0293)28321

TITLE					
Z80 C.P.U. BOARD					
DRAWN	DATE	SCALE	CHK'D	APP'D	DRAWING N°
HR./W.D.S.	JUNE '81	-			G811
					SHT 1 OF 2