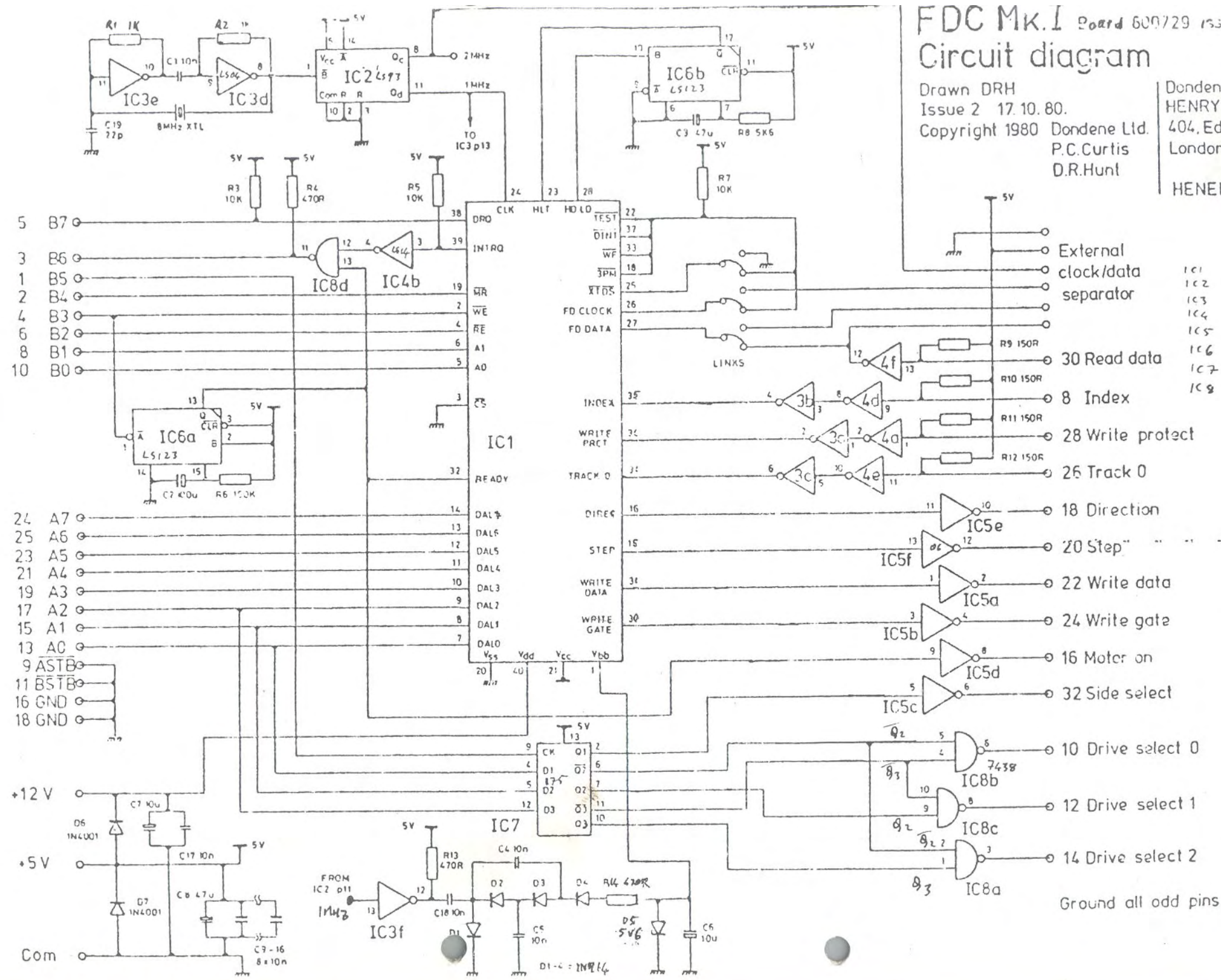


Circuit diagram

Drawn DRH
 Issue 2 17.10.80.
 Copyright 1980 Dondene Ltd.
 P.C.Curtis
 D.R.Hunt

Dondene Ltd, trading as
 HENRY'S RADIO,
 404, Edgware Road
 London W2 1EB

HENELEC[®] SYSTEM



IC1	1771	
IC2	74LS93	OR BOTH TTL
IC3	74LS04	
IC4	74LS14	
IC5	7406	
IC6	74LS123	
IC7	74175	
IC8	7438	

- External clock/data separator
- 30 Read data
- 8 Index
- 28 Write protect
- 26 Track 0
- 18 Direction
- 20 Step
- 22 Write data
- 24 Write gate
- 16 Motor on
- 32 Side select
- 10 Drive select 0
- 12 Drive select 1
- 14 Drive select 2

Ground all odd pins